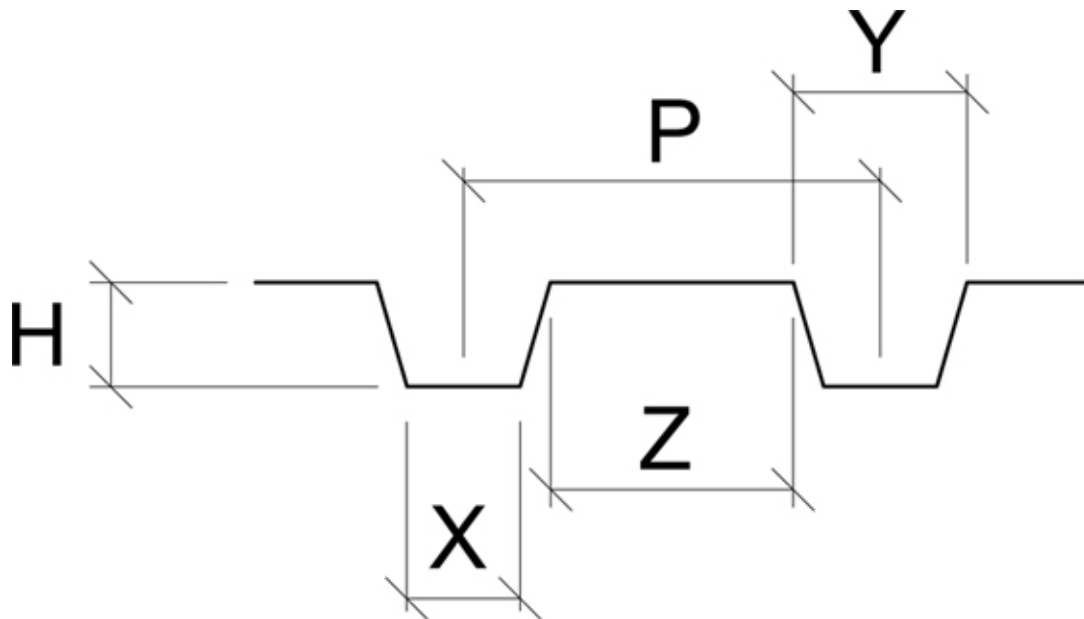


# **REDBIRD ENGINEERING**

12015 Manchester Road | Saint Louis, MO 63131 | P: 314-965-3136 | [www.redbirdengineering.com](http://www.redbirdengineering.com)

Match Your Existing Deck – Use our Deck Identifier Below

Match These Dimensions on your Deck.....



With the Dimensions in this table:

Type	H	P	X	Y	Z
<b>B-Deck</b>	1 ½"	6"	1 9/16"	2 ½"	3 ½"
<b>F-Deck</b>	1 ½"	6"	½"	1 ¾"	4 ¼"
<b>A-Deck</b>	1 ½"	6"	¾"	1"	5"
<b>N-Deck</b>	3"	8"	1 ½"	2 ¾"	5 ¼"

To determine what type of deck you need:

1. Measure the dimensions of your current deck
2. Match up the H, P, X, Y, and Z dimensions in the deck image above
3. Determine what type of deck you have : B, F, A, or N
4. Call us and place and order!